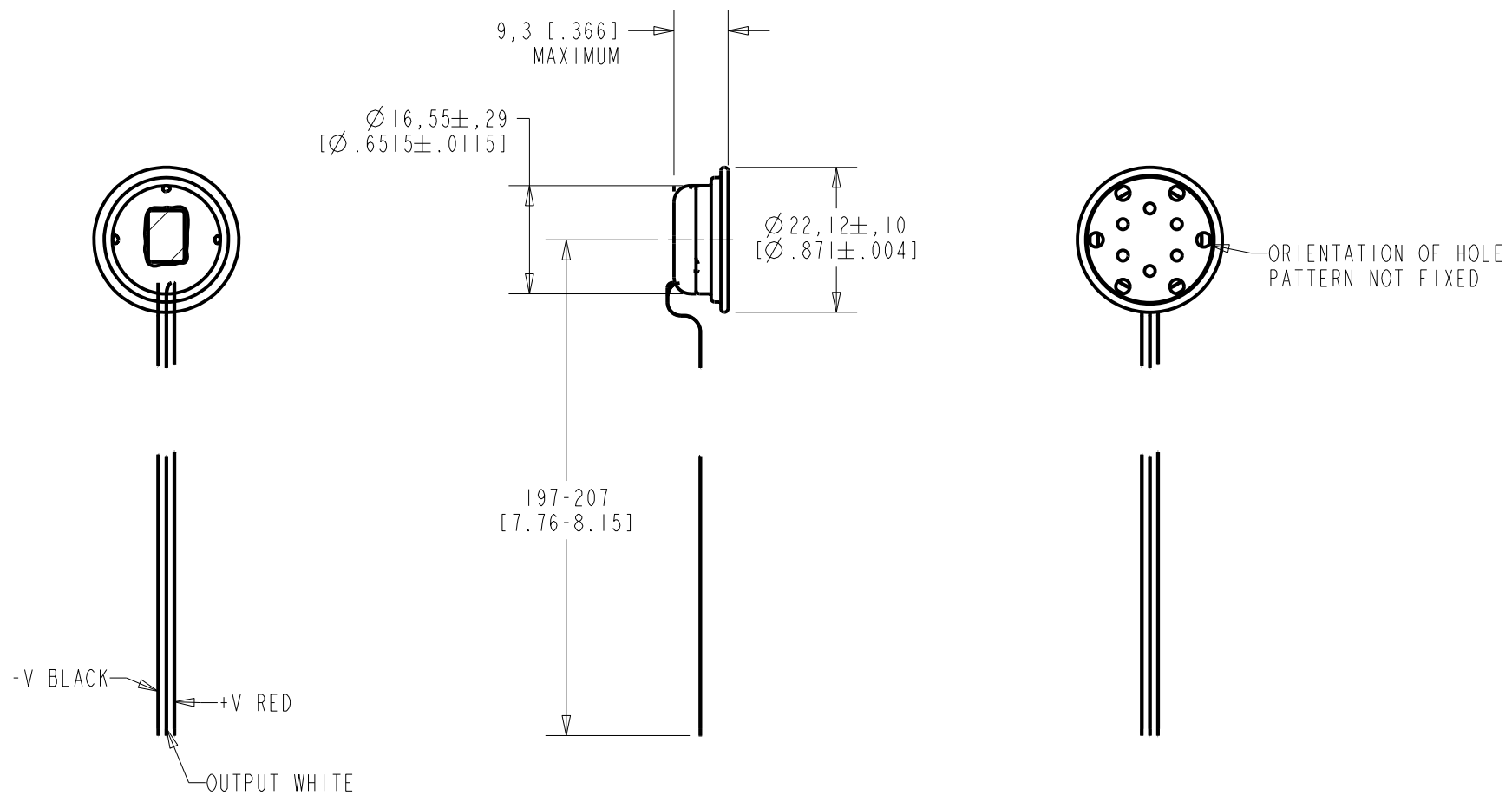


MR-23333-146
SHT 1.1

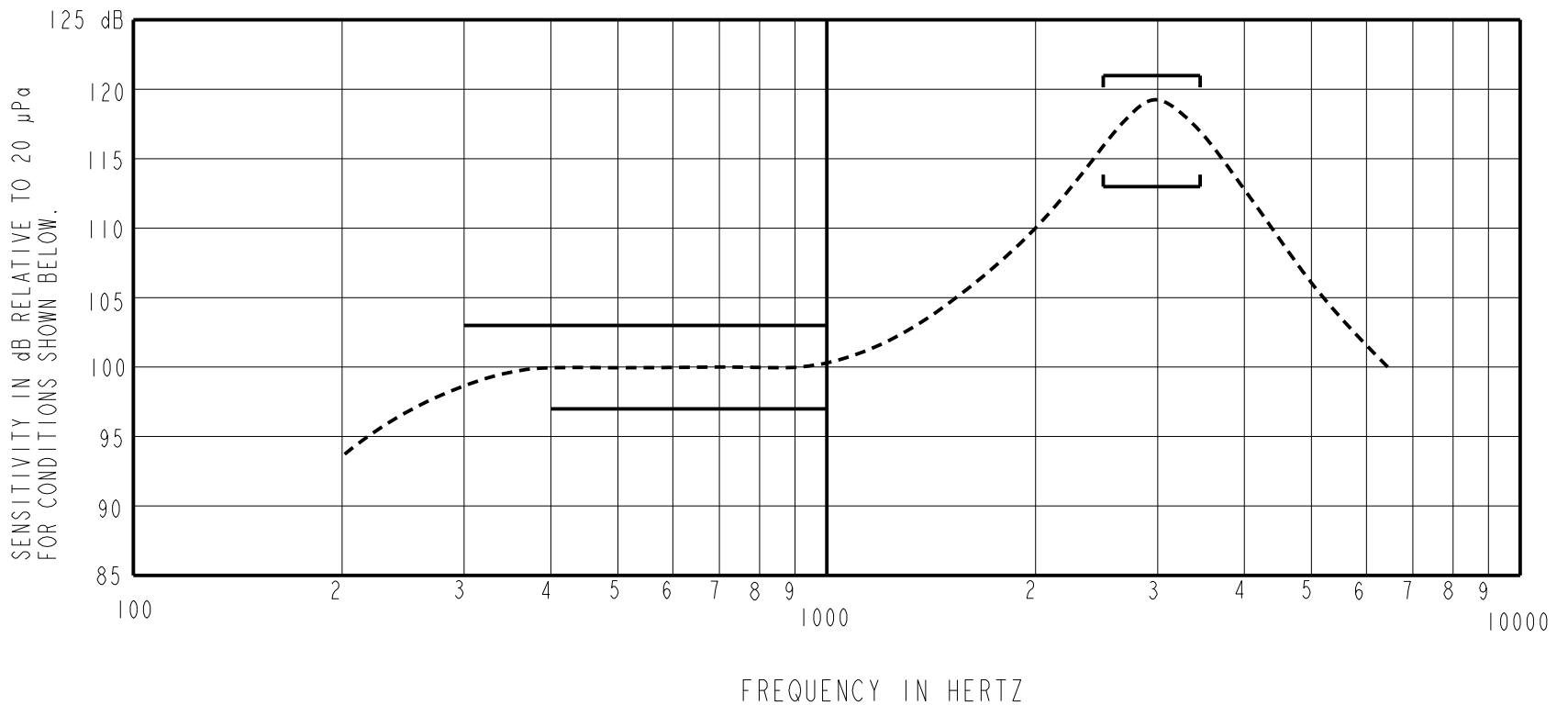
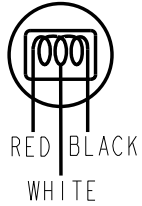


NOMINAL WEIGHT
3.6 GRAM

DIMENSIONS IN MILLIMETERS [INCHES]

Revision	C.O. #	Implementation Date	RELEASE LEVEL	REVISION
E	MI0103915	12-1-10	Active	E
D	MI0103263	10-20-09		
SCALE: 1:1				
DO NOT SCALE DRAWING			DR. BY	DATE
TITLE: WATERPROOF SPEAKER MR-23333-146			MMM	3-31-06
			CRG	3-31-06
OUTLINE DRAWING			APP. BY	DATE
SHT 1.1			AB	4-3-06

KNOWLES ELECTRONICS
ITASCA, ILLINOIS U.S.A.



NOTES:

1. MEASUREMENTS MADE WITH UNIT UNDER TEST, SEALED TO AN IEC 318 COUPLER (BRUEL & KJAER PART NO.4153) AFTER A MINIMUM OF 10 MINUTES AT 20M IMMERSION IN WATER AND 30 PSI (GAGE) OR WATER APPLIED TO FACE OF SPEAKER FOR A MINIMUM OF 10 SECONDS.

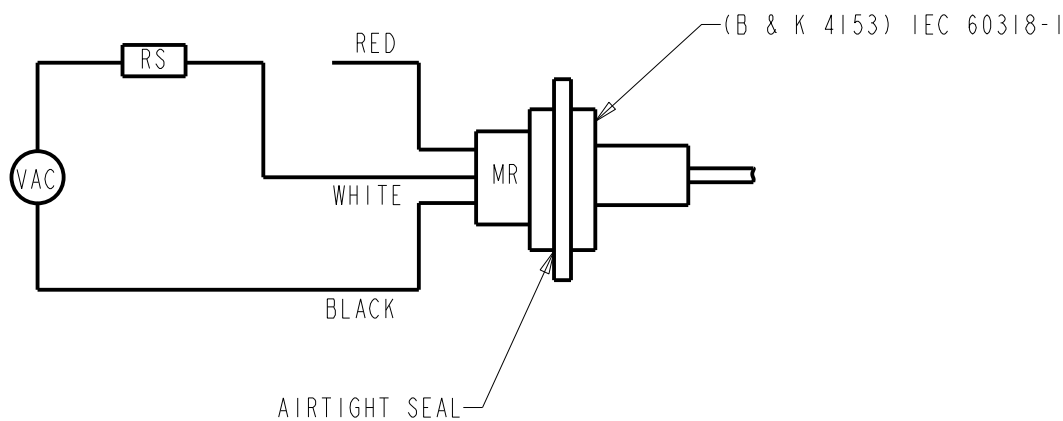
2. ELECTRICAL SIGNAL (SEE #4 BELOW)

FREQUENCY	SENSITIVITY	
	MIN.	MAX.
300	---	103.0
400	97.0	103.0
1000	97.0	103.0
PEAK TO BE WITHIN BOX DEFINED		
2500	113.0	121.0
3500	113.0	121.0

4. INDIVIDUAL SPECIFICATIONS.

STD DRIVE		DISTORTION		1 KHZ IMP (± 15%)	D.C. RES @ 23°C (+ 10%)	MAX DRIVE	
VAC RMS	RS OHMS	MAX %	FREQ. Hz			VAC RMS	RS OHMS
0.20	21	5	300	21	10	1.3	60

5. TEST CONDITIONS.



Revision	C.O. #	Implementation Date	RELEASE LEVEL	REVISION
E	M10103915	12-1-10	Active	E
D	M10103263	10-20-09		

KNOWLES ELECTRONICS
ITASCA, ILLINOIS U.S.A.

WHEN TEST LIMITS ARE USED TO ESTABLISH INCOMING INSPECTION ACCEPTANCE/REJECTION CRITERIA, CORRELATION OF TEST EQUIPMENT WITH KNOWLES IS ALSO REQUIRED FOR ELIMINATION OF EQUIPMENT AND TEST METHOD VARIATION

TITLE: **WATERPROOF SPEAKER** **MR-23333-146**
PERFORMANCE SPECIFICATION **SHT 2.1**

DR. BY	DATE
MMM	3-31-06
CK. BY	DATE
CRG	3-31-06
APP. BY	DATE
AB	4-3-06